

RESOLUTION NO. 4320

A RESOLUTION TO WAIVE COMPETITIVE BIDDING ON THE REPAIRS OF THE CALAPOOIA RIVER PEDESTRIAN BRIDGE.

WHEREAS, Albany Municipal Code exempts contracts from competitive bids when there is an emergency condition that requires prompt execution of the contract; and

WHEREAS, the Oregon Revised Statutes waive competitive bidding on finding that:

1. It is unlikely that such exemption will encourage favoritism in the awarding of public contracts or substantially diminish competition for public contracts; and
2. The awarding of public contracts pursuant to the exemption will result in substantial cost savings to the public contracting agency; and
3. Emergency conditions require prompt execution of the contract; and

WHEREAS, the Parks and Recreation Department recommends the award the Calapooia River Pedestrian Bridge Repairs contract in a prompt manner in order to ensure that the work is performed within the time allowed for work in the river as established by the State of Oregon, which ends on September 30; and

WHEREAS, if this work is not completed within the timeframe, more erosion will occur, which will result in greater scope of work and the likelihood of additional costs next year, and

WHEREAS, S2F Corporation was the lowest of four quotations solicited for this contract; and

NOW, THEREFORE BE IT RESOLVED that the City Council adopts the findings and waives the requirement for competitive bidding in this instance for the Calapooia River Pedestrian bridge Repairs.

DATED THIS 23rd DAY OF AUGUST 2000.

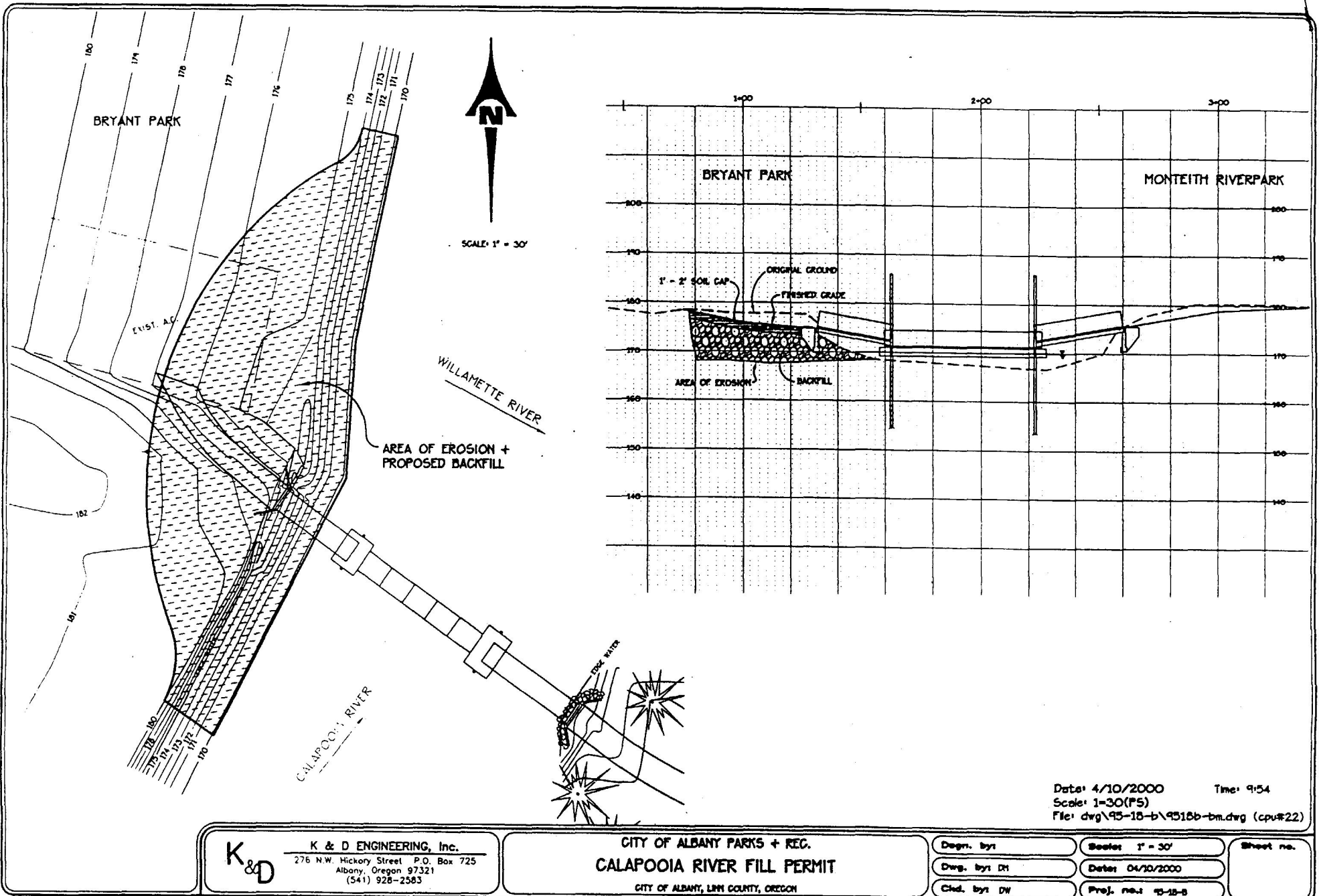


Mayor

ATTEST:



City Recorder



Date: 4/10/2000 Time: 9:54
 Scale: 1=30(F5)
 File: dvg\95-15-b\9515b-bm.dwg (cpu#22)



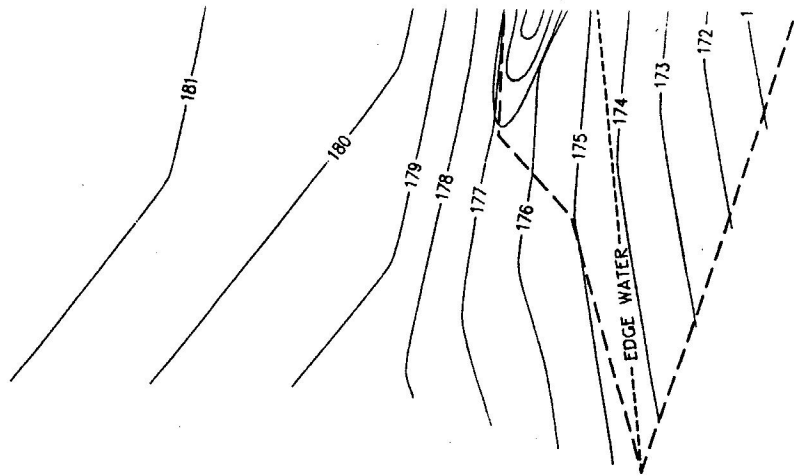
K & D ENGINEERING, Inc.
 276 N.W. Hickory Street P.O. Box 725
 Albany, Oregon 97321
 (541) 928-2583

CITY OF ALBANY PARKS + REC.
CALAPOOIA RIVER FILL PERMIT
 CITY OF ALBANY, LINN COUNTY, OREGON

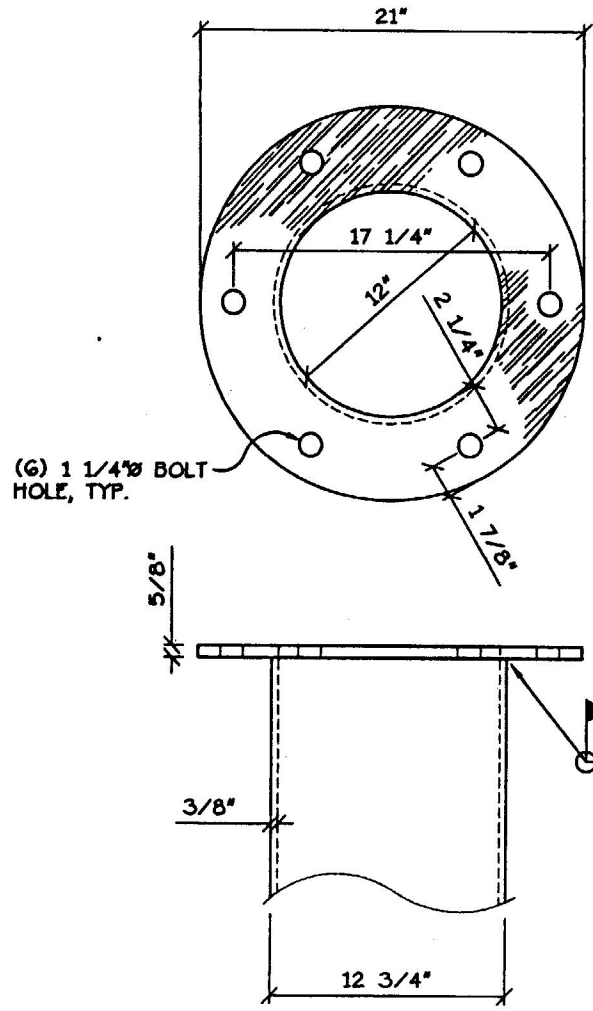
Desgn. by: _____
 Dwg. by: DM
 Chd. by: DW

Scale: 1" = 30'
 Date: 04/10/2000
 Proj. no.: 95-15-B

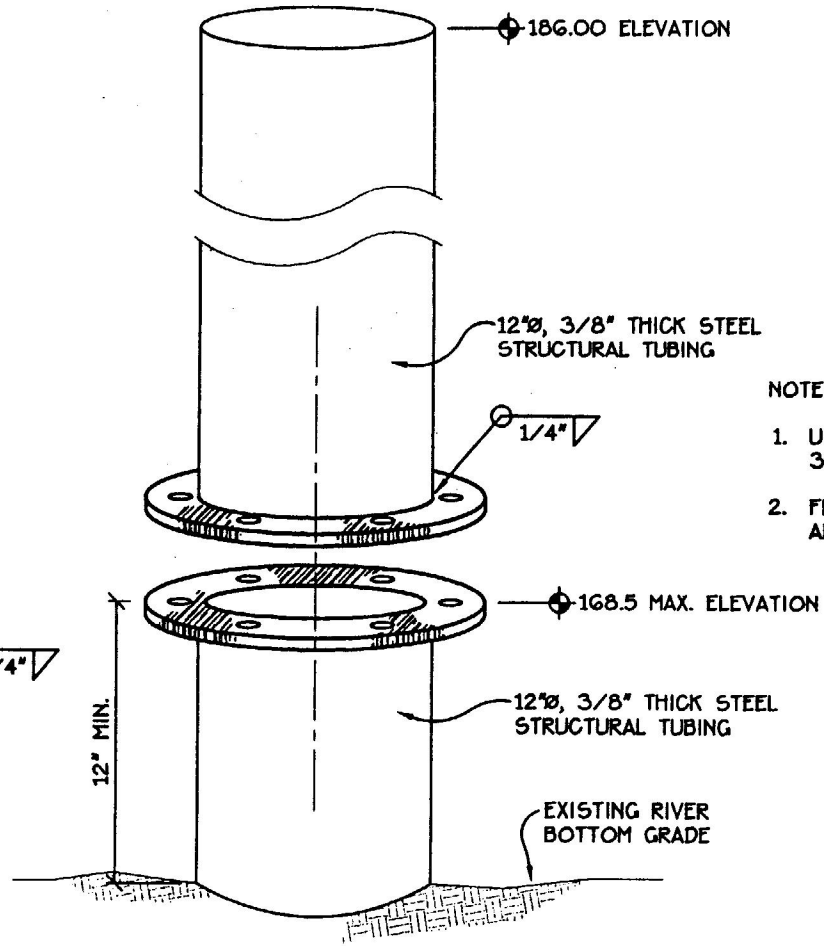
Sheet no. _____



CALAPOOVIA RIVER



(6) 1 1/4" BOLT HOLE, TYP.



NOTES:

1. USE (6) 1 1/4" A307 BOLTS, MIN. 3" LONG.
2. FLANGE ASSEMBLY SHALL BE SET MIN. 12" ABOVE EXISTING RIVER BOTTOM GRADE.

1 STEEL FLANGE DETAIL