

GENERAL NOTES:
 Class B concrete shall be used in the dam and abutment underpinning.
 All other concrete shall be class A.

Revised 8-16-40 R.T.S.
 9-20-40
 10-3-40

OREGON
 STATE HIGHWAY COMMISSION
COX CREEK DAM
 ON
 THE PACIFIC HIGHWAY
 NEAR
 ALBANY LINN COUNTY

Approved:

 Bridge Engineer

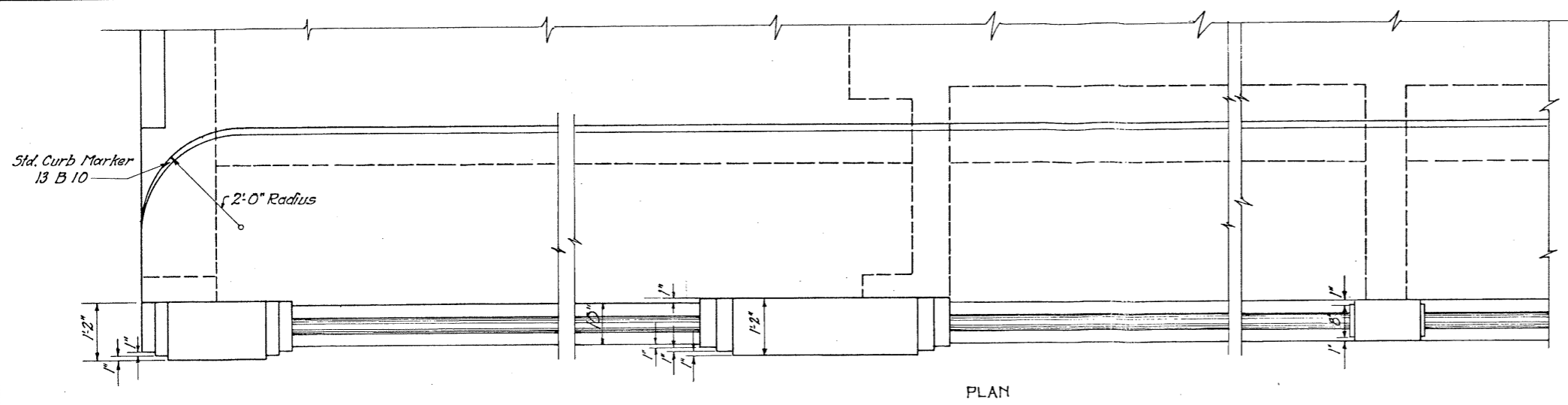
 Asst. State Hwy. Engr.

 State Highway Engineer.

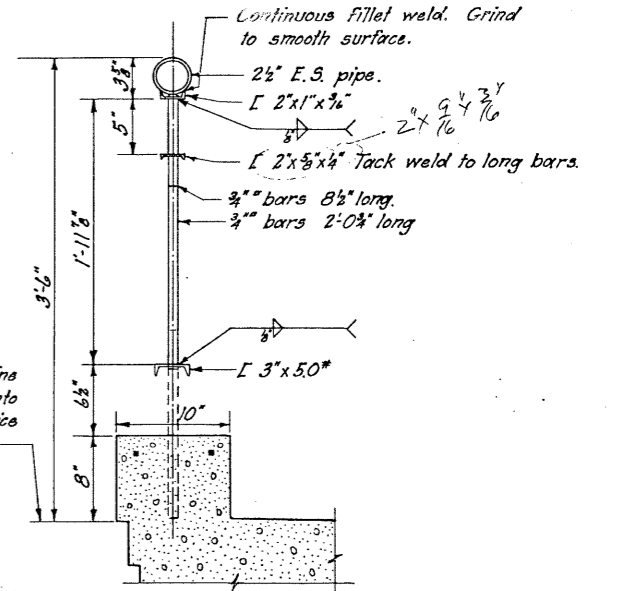
JULY 18 1940
 SCALES NOTED
 CALC. BK. NO. 185
 ACCOMPANIED BY DRWGS. 7101 & 7102

DRAWN BY R.T.S.
 TRACED BY R.T.S.
 CHECKED BY L.S.S.

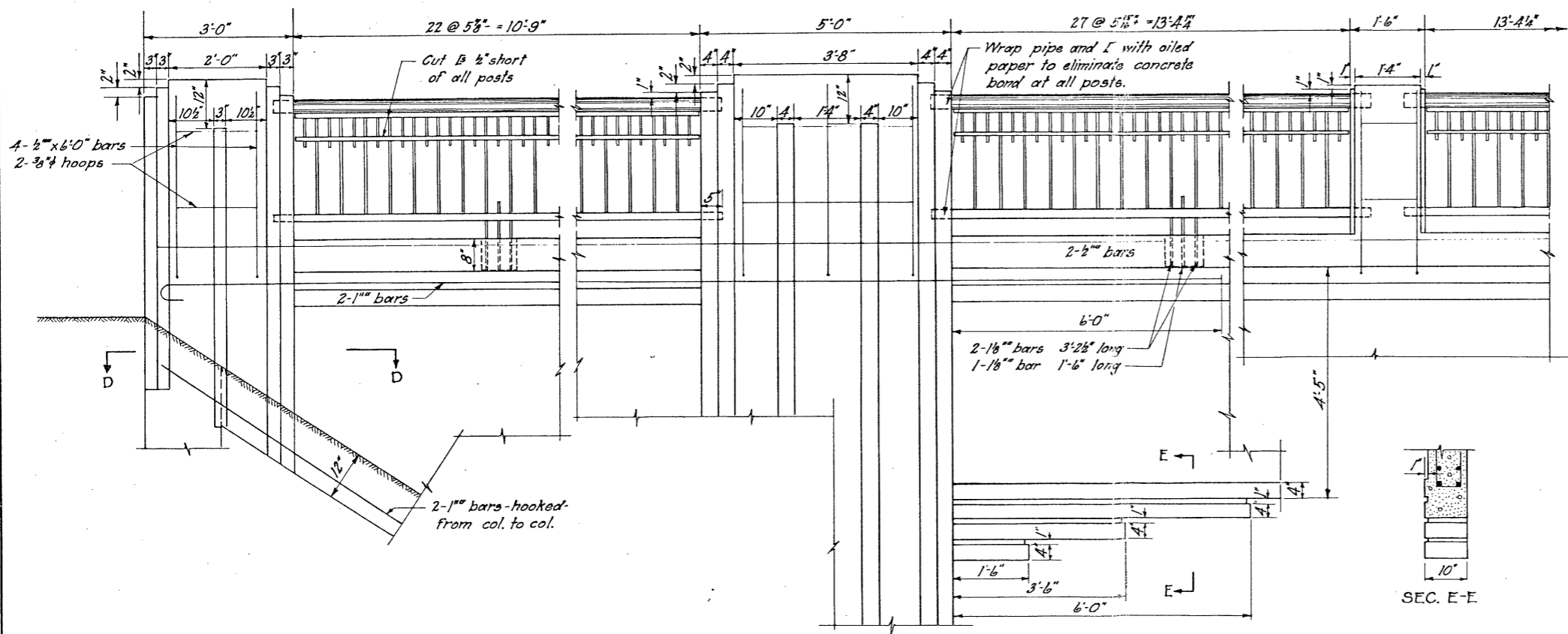
SHEET 1 OF 3
 BRIDGE NO. 2727
 DRAWING NO. 7100



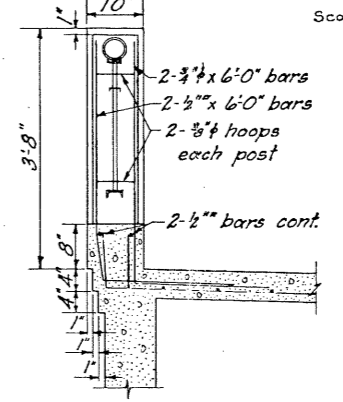
PLAN



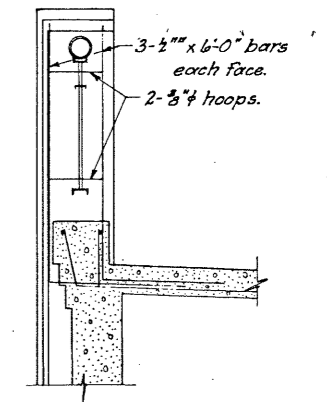
DETAIL OF RAILING
Scale 1/2"=1'-0"



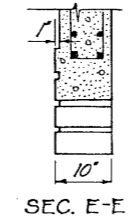
ELEVATION
Scale 3/4"=1'-0"



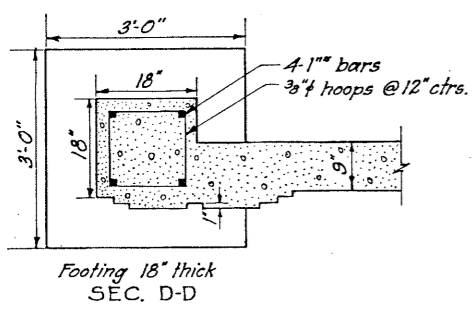
SEC. AT INTERMEDIATE POST



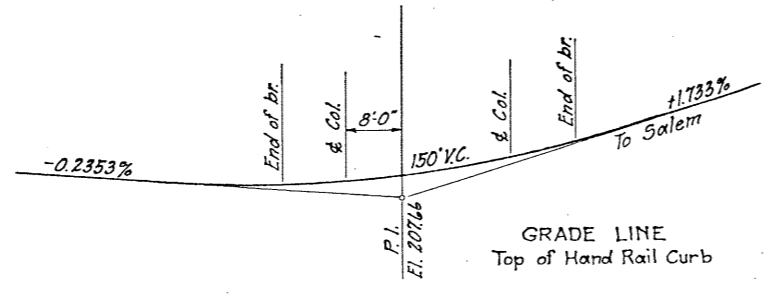
SEC. AT ABUTMENT POST



SEC. E-E



FOOTING 18" THICK
SEC. D-D



GRADE LINE
Top of Hand Rail Curb

Revised 9-20-40

Approved:

[Signature]
Bridge Engineer

JULY 19 1940
SCALES NOTED

OREGON
STATE HIGHWAY COMMISSION
COX CREEK DAM
HANDRAIL DETAILS
DRAWN BY R.T.S. BRIDGE NO. 2727
TRACED BY R.T.S. DRAWING NO. 7102
CHECKED BY L.S.S.